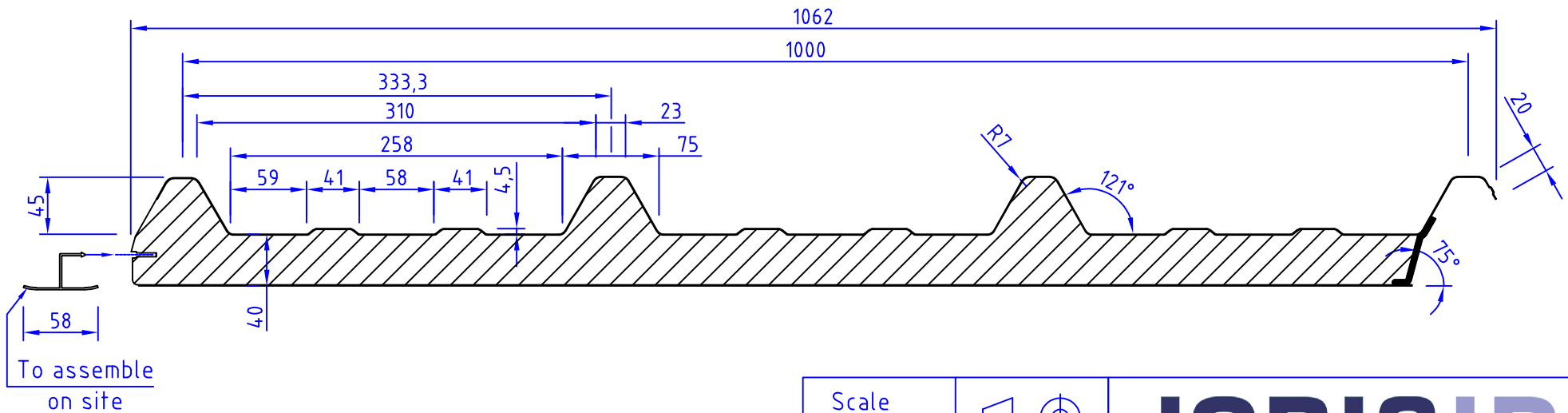
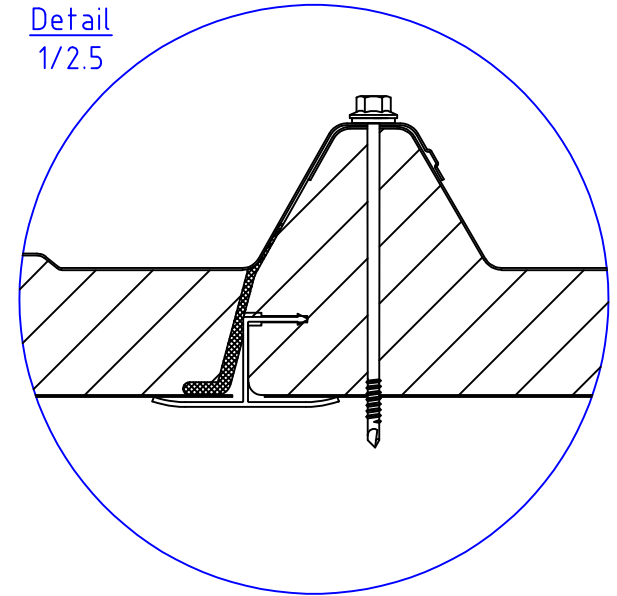


Detail  
1/2.5



Scale 1:5		<b>JORISIDE</b> THE STEEL FUTURE
Design: MM	Nr.	
Approval: LD	Rev. B	JORIS IDE nv <a href="http://www.joriside.be">www.joriside.be</a> Hille 174; 8750 Zwevezele; Belgium Tel: 0032 (0) 51612 871 Fax: 0032 (0) 51612 700
Update: 18.09.2023		
JI ROOF PLUS 1000 x 40		