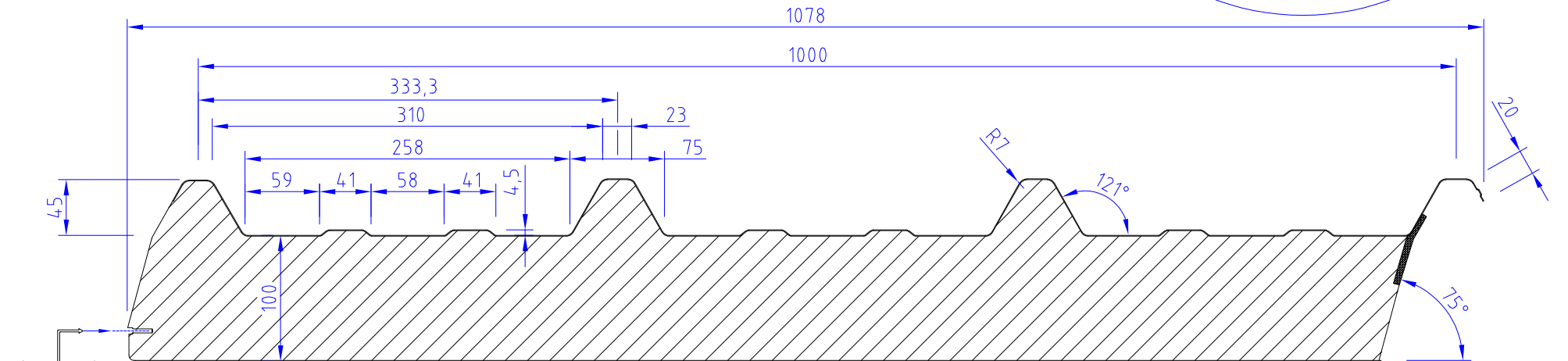
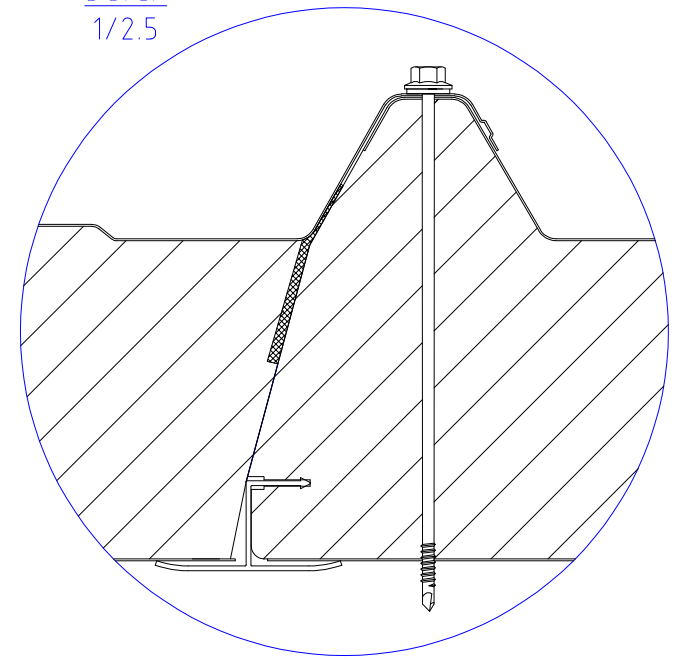


Detail
1/2.5



58
To assemble
on site

Scale 1:5		
Design: MM	Nr.	
Approval: LD	Rev. B	
Update: 18.09.2023		
JI ROOF PLUS 1000 x 100		

JORISIDE
THE STEEL FUTURE

JORIS IDE nv www.joriside.be
Hille 174; 8750 Zwevezele; Belgium
Tel: 0032 (0) 51612 871 Fax: 0032 (0) 51612 700