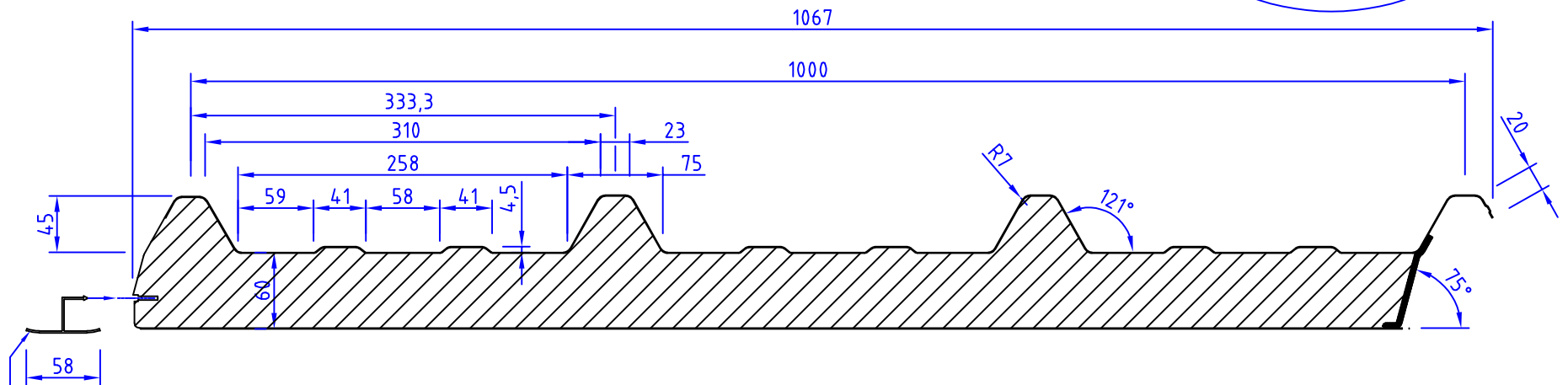
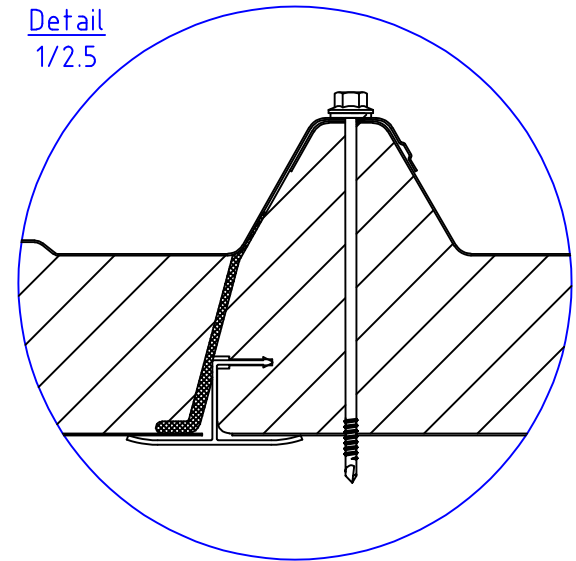


Detail
1/2.5



To assemble
on site

Scale 1 : 5		JORISIDE THE STEEL FUTURE
Design: MM	Nr.	
Approval: LD	Rev. B	JORIS IDE nv www.jorisode.be Hille 174; 8750 Zwevezele; Belgium Tel: 0032 (0) 51612 871 Fax: 0032 (0) 51612 700
Update: 18.09.2023		
JI ROOF PLUS 1000 x 60		